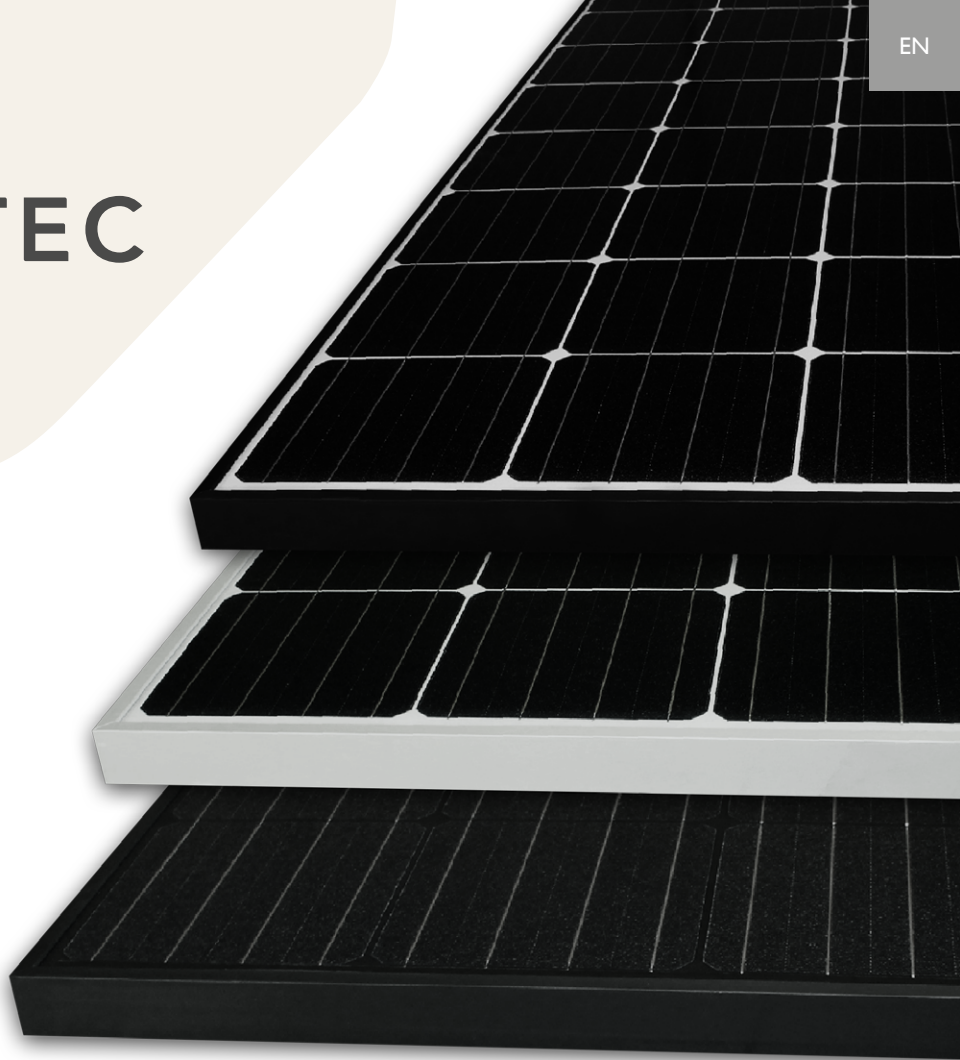




# SOLUXTEC

Quality made in Germany

DIE MODUL MANUFAKTUR  
100% MADE IN GERMANY



## DAS MODUL Mono Serie



20 year warranty



100% Quality Assurance



Innovative Junction Box



Low carbon footprint



Linear Performance Guarantee



Excellent thermal Properties



Extremely lightweight Design



5400 Pa max load capacity



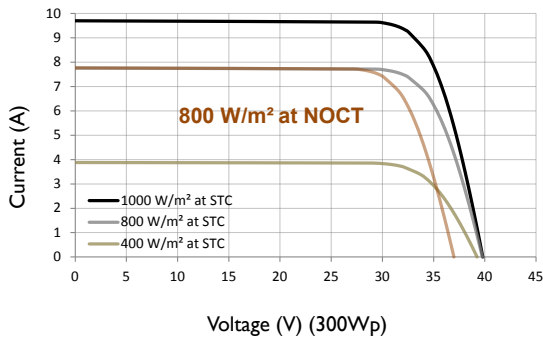
Positive performance Tolerance



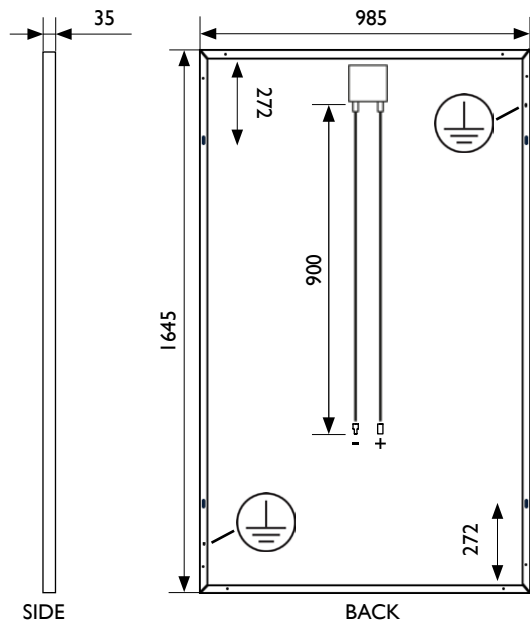
# DAS MODUL

## Mono Serie

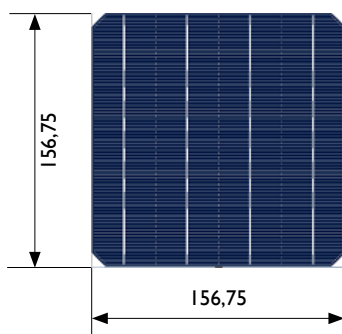
### I-V CURVES



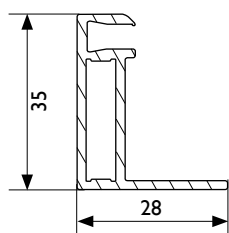
### MODULE DIMENSIONS



### CELL DIMENSIONS



### FRAME DIMENSIONS



**SOLUXTEC**  
Quality made in Germany

Soluxtec GmbH, Werner von Siemens Str. 25, 54634 Bitburg  
Tel.: +49 65 61 69 37 265 Fax: +49 65 61 69 40 521  
E-Mail: info@soluxtec.de Web: www.soluxtec.eu

### ELECTRICAL PERFORMANCE UNDER STANDARD TEST CONDITIONS, 1000 W/m<sup>2</sup>, AM=1.5

Maximum Power	P <sub>max</sub>	Wp	290	295	300	305
Open Circuit Voltage	V <sub>oc</sub>	V	39,50	39,65	39,80	39,95
Short Circuit	I <sub>sc</sub>	A	9,50	9,60	9,70	9,80
Maximum Power Point Voltage	V <sub>mpp</sub>	V	32,15	32,25	32,45	32,65
Maximum Power Point Current	I <sub>mpp</sub>	A	9,05	9,15	9,25	9,35
Efficiency	%		17,90	18,20	18,50	18,85

### ELECTRICAL PERFORMANCE UNDER NOCT, 800 W/m<sup>2</sup>, AM=1.5, T=20°C

Maximum Power	P <sub>max</sub>	Wp	215	219	222	226
Open Circuit Voltage	V <sub>oc</sub>	V	36,75	36,88	37	37,13
Short Circuit	I <sub>sc</sub>	A	7,60	7,72	7,81	7,90
Maximum Power Point Voltage	V <sub>mpp</sub>	V	29,70	29,85	30	30,30
Maximum Power Point Current	I <sub>mpp</sub>	A	7,25	7,34	7,42	7,48

THERMAL CHARACTERISTICS		COMPONENTS
STC	25°	Cells Number 60
NOCT	45° +/-2	Technology monocrystalline silicon
TC I <sub>sc</sub>	+0,0580%/K	Junction Box IP 67 ventilated
TC v <sub>oc</sub>	- 0,300%/K	Connector MC4
TC P <sub>mpp</sub>	- 0,390%/K	Glass tempered+patterned Glass Thickness 3,2 mm

GENERAL CHARACTERISTICS	INTEGRATION CHARACTERISTICS
Module Weight 18 kg	Max. System Voltage 1000 Vdc
Color black / white	Protection Class A
Frame Color black / silver	Operating Temperature Range - 40 ... + 80
Total Thickness 35 mm	Max. Reserve Current 16 A

### CERTIFICATIONS

IEC 61215 IEC 61701  
EN 61730 LDV 2014/35/EU

### PERFORMANCE WARRANTY

Linear  
80,20% after 25 years

### PRODUCT WARRANTY

20 years

### POWER TOLERANCE\*

0/+3% auf P<sub>mpp</sub>  
PFlash > P<sub>mpp</sub>

This data Sheet complies with the requirements of EN 50380.  
Soluxtec reserves the right to make specification changes without prior notice (2017).  
\* Flasher AAA, Power tolerance measurement of +/- 3%.

V02\_2017

www.soluxtec.eu